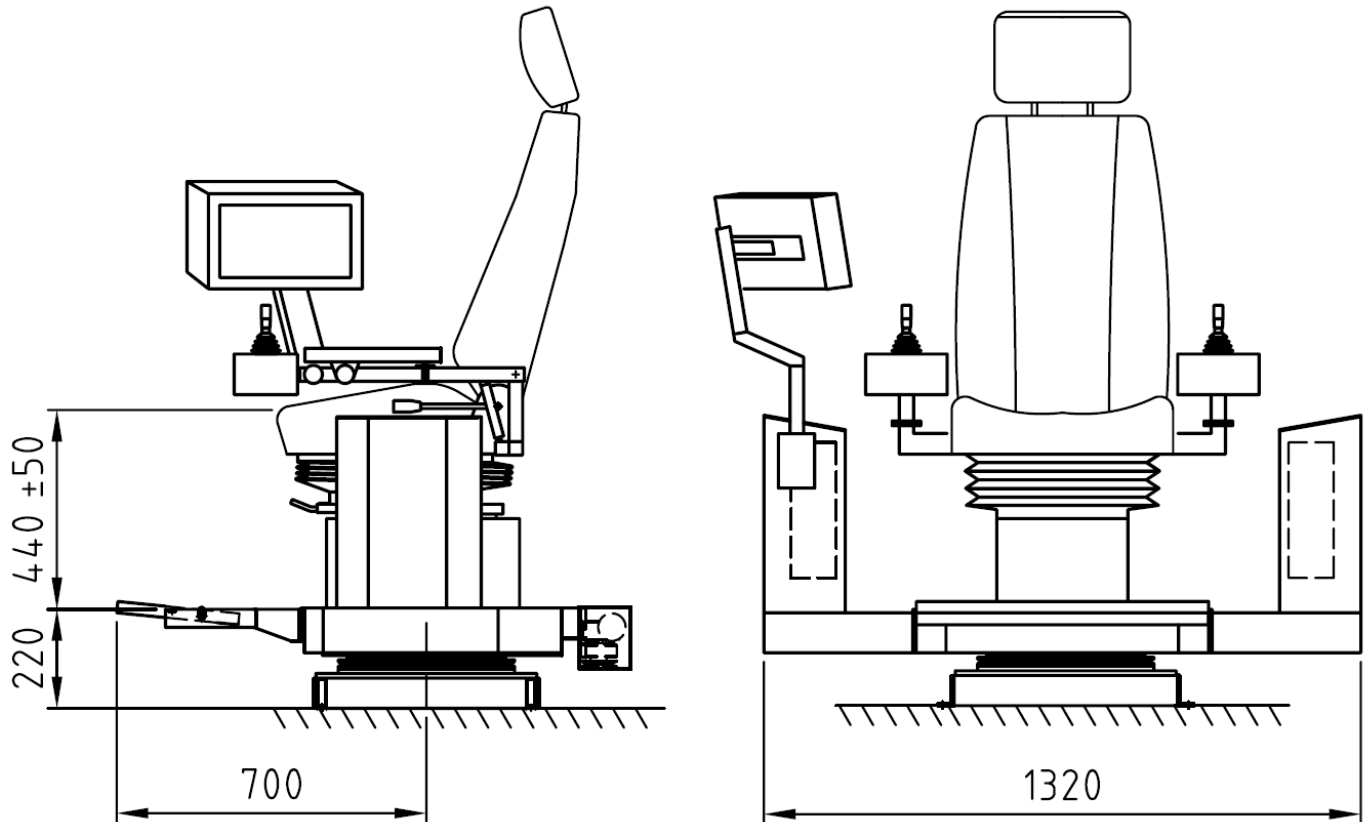


Ergositter 800

Ergositter 800 is specially developed for control room applications but fits also well into crane cabins and other applications where a robust chair is needed.

Ergositter 800 got fully adjustable armrests, footrest, slewing and seat adjustments, all adjustments are easily made with no tools what so ever, this ensures that the operator will easily find the most comfortable and ergonomically position through the whole shift. Ergositter 800 is designed to handle up to 2-shift operation with though demands.



Technical Data: Ergositter 800

Adjustments	Electrical rotation + / - 120 °
	Height adjustment 65 mm
	Horizontal suspension
	Integrated pneumatic system (IPS) for an individual seat-back adjustment *
	Pneumatic lumbar support
	Armrest up/down
	Armrest backward/forward
	Armrest tilt
	Footstep tilt *
	Footstep up/down *

*OPTIONAL