

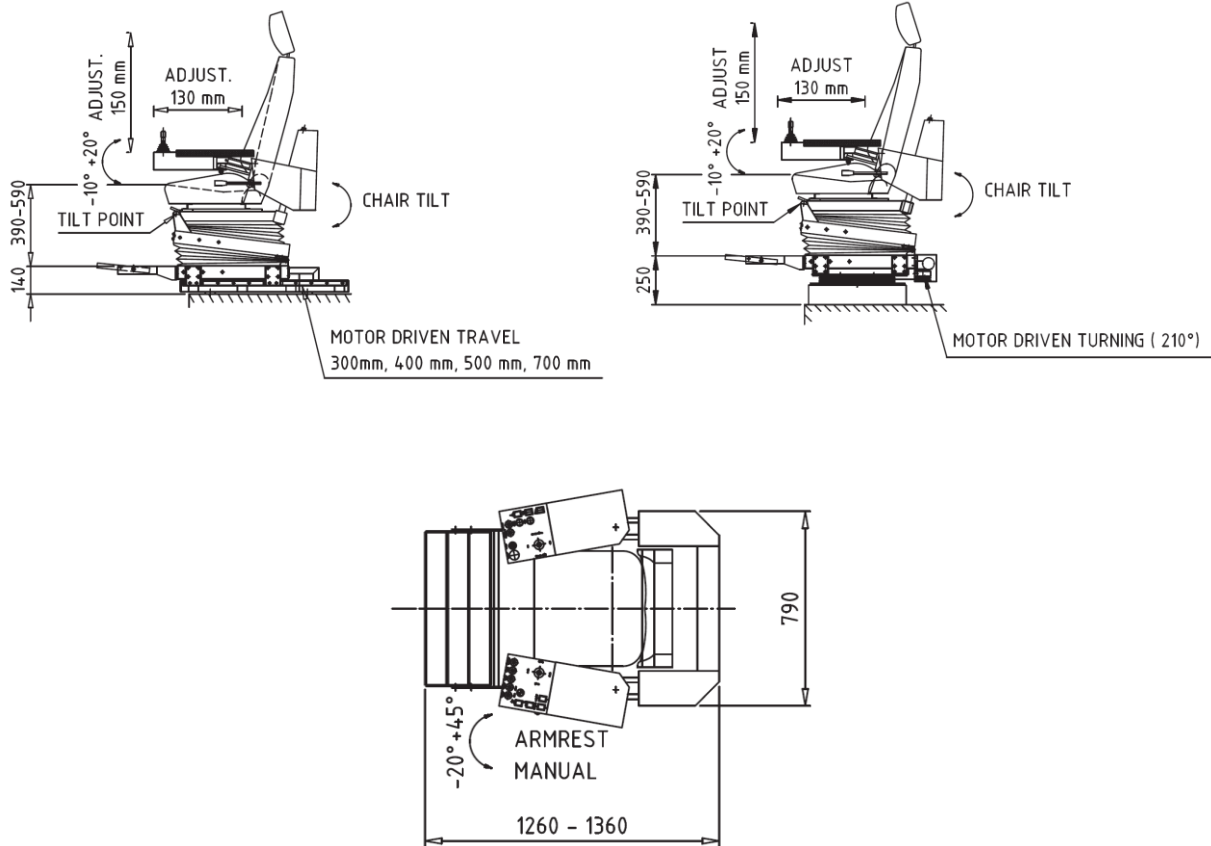


Ergositter 900

Ergositter 900 is specially developed for highly demanded ergonomic needs. Operators are often spending hours after hours operating the crane or the machine.

To minimize fatigue to the operator, Ergositter 900 is the optimal solution because easy adjustments of positions are minimizing the fatigue to the operator.

Ergositter 900 has got fully adjustable armrests, footrest, slewing and seat adjustments, all adjustments are easily made with no tools what so ever, this ensures that the operator will easily find the most comfortable and ergonomically position through the whole shift. Ergositter 900 is designed to handle up to 3-shift operation with though demands.



Technical data: Ergositter 900

Adjustments	Armrest up/down, electrical
	Armrest backward/forward, electrical
	Armrest tilt, electrical
	Entire chair up/down, electrical
	Entire chair tilt, electrical
	Entire chair travel 300, 400 500 or 700 mm *
	Entire chair turning $\pm 120^{\circ}$ *
	Footstep up/down *
	Footstep tilt *
	Chest support *
	Memory unit, 240 positions *

* OPTIONAL